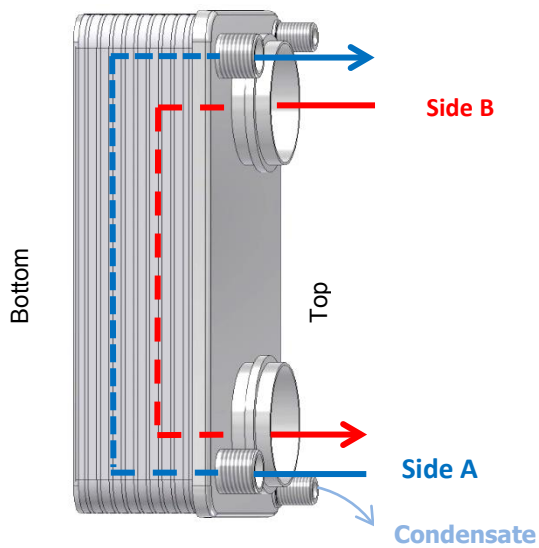
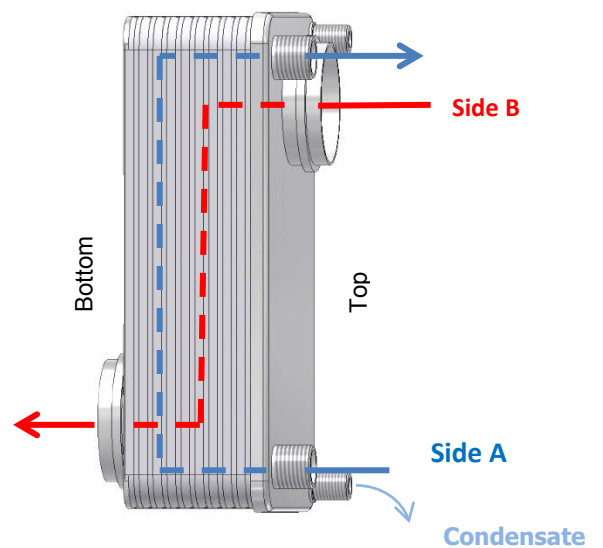


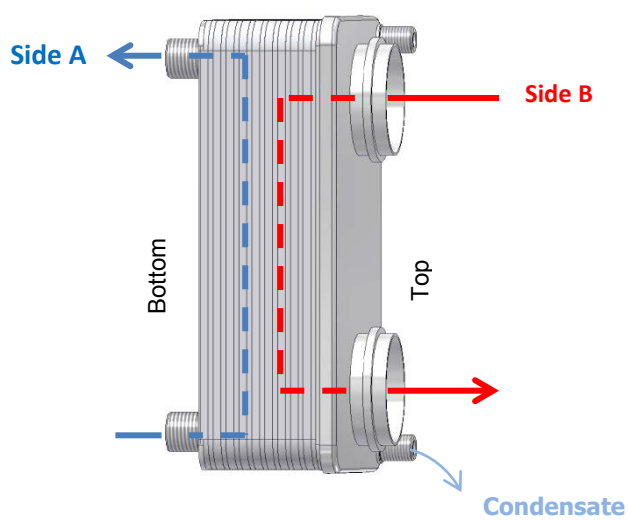
T-connection



G-connection



O-connection



D-connection

