

Compact 25

11 | 2016

Compact 25 is a high-efficiency compact brazed stainless steel heat exchanger designed to handle asymmetrical flows with exceptionally high performance.

Compact 25's patented plate design enables it to handle extremely high gas temperatures without thermal fatigue with sufficient cooling liquid. This makes Compact 25 superior as a high-temperature exhaust gas heat exchanger, as well as in all types of condensation applications.

The product's compact size, versatility and excellent heat transfer makes it a perfect choice for a wide range of asymmetrical heat transfer applications. Compact 25 in single configuration is suitable for max. 250 kg/h gas.

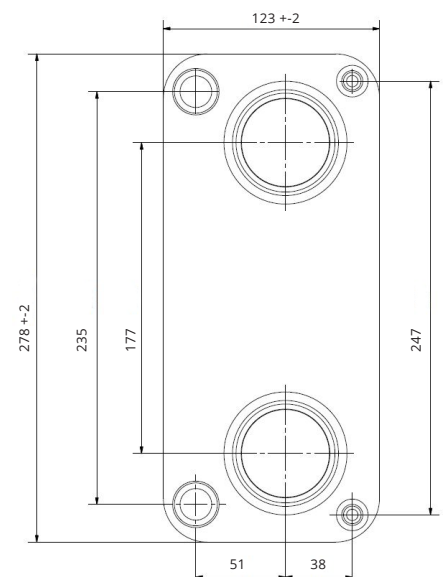
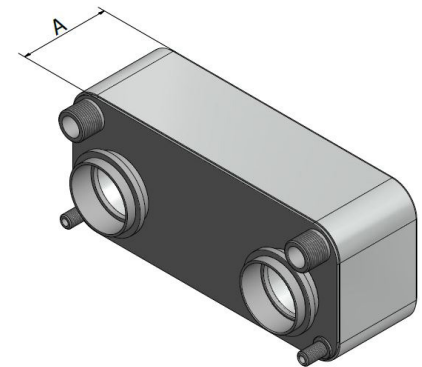
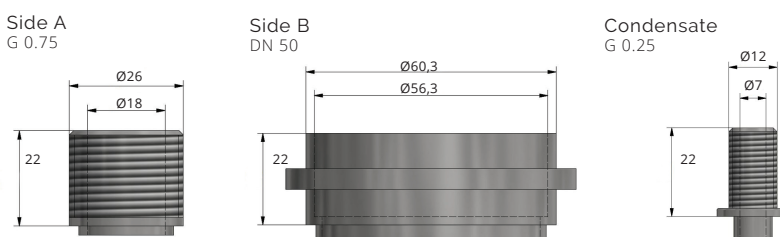
TECHNICAL DATA

Side (A) "High density":	Water / Liquid / High pressure gas
Side (B) "Low density":	Gas / Steam
Plate material:	ASTM 316L / DIN 1.4404 / SS2348
Connections / Side plates:	ASTM 304 / DIN 1.4301 / SS2333
Brazing material:	Copper (Cu) or Nickel (Ni)
Operating temperature:	Side A: -160°C to +190°C Side B: Limited by max plate temperature of 190°C
Operating absolute pressure at -160/25/190°C:	Side A, Copper (Cu): 0/16/12 bar(a); 0/232/174 psi(a) Side A, Nickel (Ni): 0/9,2/7 bar(a); 0/133/102 psi(a) Side B: 0,5-1,5 bar(a) / 7-21 psi(a) For higher pressure see datasheet Compact 26 ≈ 3,9 dm ²
Prim. heat transfer surface/plate:	EN13445-3
Manufacturing standard:	In conformance with 2014/68/EU
PED Side A:	Fluid Group: 1 & 2

STANDARD VERSIONS FOR COMPACT 25

Brazing material	Part no.	Description	Plates	Connection	Height (mm)		Weight, empty ≈ kg	Volume (l)	
					A	Tolerances		Side A	Side B
Ni	513010	Compact 25-N-10-T	10	DN50-G0.75	43,5	±2,0	2,4	0,4	0,8
	513001	Compact 25-N-20-T	20	DN50-G0.75	83,0	±2,0	3,4	0,9	1,5
	513002	Compact 25-N-30-T	30	DN50-G0.75	122,5	±2,5	4,5	1,3	2,0
	513003	Compact 25-N-40-T	40	DN50-G0.75	162,0	±3,0	5,5	1,8	3,0
	513004	Compact 25-N-60-T	60	DN50-G0.75	241,0	±3,5	7,6	2,7	4,5
	513005	Compact 25-N-80-T	80	DN50-G0.75	320,0	±4,0	9,7	3,6	6,0
Cu	514010	Compact 25-C-10-T	10	DN50-G0.75	43,5	±2,0	2,4	0,4	0,8
	514001	Compact 25-C-20-T	20	DN50-G0.75	83,0	±2,0	3,4	0,9	1,5
	514002	Compact 25-C-30-T	30	DN50-G0.75	122,5	±2,5	4,5	1,3	2,4
	514003	Compact 25-C-40-T	40	DN50-G0.75	162,0	±3,0	5,5	1,8	3,0
	514004	Compact 25-C-60-T	60	DN50-G0.75	241,0	±3,5	7,6	2,7	4,5
	514005	Compact 25-C-80-T	80	DN50-G0.75	320,0	±4,0	9,7	3,5	6,0

STANDARD CONNECTIONS



For configuration options see our Option-Compact sheet.

Patent. Compact 25 is protected by patents. Violation against Airec AB rights will be enforced.