

Compact 26

12 | 2016

Compact 26 is a high-efficiency compact brazed stainless steel heat exchanger designed to handle asymmetrical flows with exceptionally high performance.

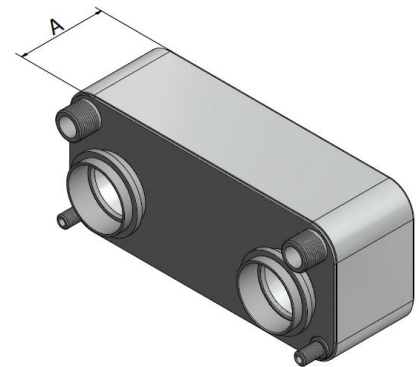
Compact 26's patented plate design enables it to handle high gas temperatures, as well as in all types of condensation applications.

Compact 26 can handle the high pressures such as in compressors and intercoolers. The product's compact size, versatility and excellent heat transfer makes it a perfect choice for a wide range of asymmetrical heat transfer applications. Compact 26 in single configuration is suitable for max. 15 Nm³/min gas (high pressure).

Compact 26 is certified as pressure vessel also on the gas side B.

TECHNICAL DATA

Side (A) "High density":	Water / Liquid / High pressure gas
Side (B) "Low density":	Gas / Steam
Plate material:	ASTM 316L / DIN 1.4404 / SS2348
Connections / Side plates:	ASTM 304 / DIN 1.4301 / SS2333
Brazing material:	Copper (Cu) or Nickel (Ni)
Operating temperature:	Side A: -160°C to +190°C Side B: Limited by max plate temperature of 190°C
Operating absolute pressure at -160/25/190°C:	Side A: Copper (Cu) 0/16/12 bar(a); 0/232/174 psi(a) Side A: Nickel (Ni) 0/9,2/7 bar(a); 0/133/102 psi(a) Side B: Copper (Cu) 0/13/9,5 bar(a) ; 0/189/138 psi(a) Side B: Nickel (Ni) 0/7,2/5,5 bar(a) ; 0/104/80 psi(a) ≈ 3,9 dm ²
Prim. heat transfer surface/plate:	EN13445-3
Manufacturing standard:	In conformance with 2014/68/EU
PED Side A:	Fluid Group: 1 & 2

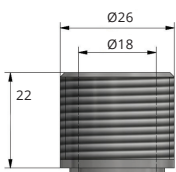


STANDARD VERSIONS FOR COMPACT 26

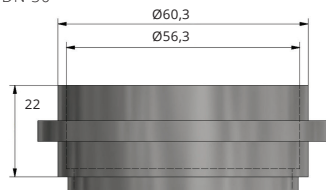
Brazing material	Part no.	Description	Plates	Connection	Height (mm)		Weight, empty ≈ kg	Volume (l)	
					A	Tolerances		Side A	Side B
Cu	514551	Compact 26-C-10-T	10	DN50-G0.75	43,5	±2,0	2,4	0,4	0,8
	514552	Compact 26-C-20-T	20	DN50-G0.75	83,0	±2,0	3,4	0,9	1,5
	514553	Compact 26-C-30-T	30	DN50-G0.75	122,5	±2,5	4,5	1,3	2,4
	514554	Compact 26-C-40-T	40	DN50-G0.75	162,0	±3,0	5,5	1,8	3,0
	514555	Compact 26-C-60-T	60	DN50-G0.75	241,0	±3,5	7,6	2,7	4,5
	514556	Compact 26-C-80-T	80	DN50-G0.75	320,0	±4,0	9,7	3,5	6,0
Ni	513551	Compact 26-N-10-T	10	DN50-G0.75	43,5	±2,0	2,4	0,4	0,8
	513552	Compact 26-N-20-T	20	DN50-G0.75	83,0	±2,0	3,4	0,9	1,5
	513553	Compact 26-N-30-T	30	DN50-G0.75	122,5	±2,5	4,5	1,3	2,4
	513554	Compact 26-N-40-T	40	DN50-G0.75	162,0	±3,0	5,5	1,8	3,0
	513555	Compact 26-N-60-T	60	DN50-G0.75	241,0	±3,5	7,6	2,7	4,5
	513556	Compact 26-N-80-T	80	DN50-G0.75	320,0	±4,0	9,7	3,5	6,0

STANDARD CONNECTIONS

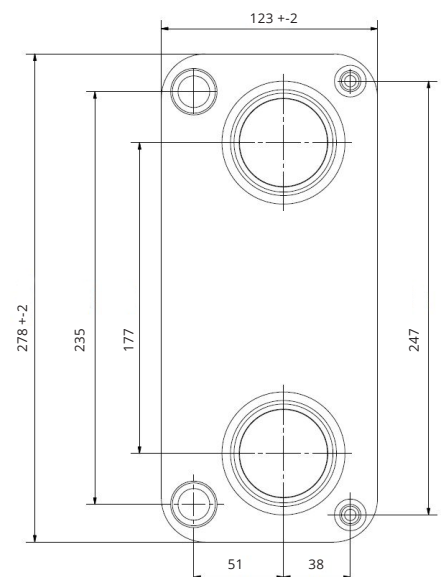
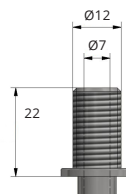
Side A
G 0.75



Side B
DN 50



Condensate
G 0.25



For configuration options see our Option-Compact sheet.

Patent. Compact 26 is protected by patents. Violation against Airec AB rights will be enforced.