

Compact 37

08 | 2017

Compact 37 is a high-efficiency compact brazed stainless steel heat exchanger designed to handle asymmetrical flows with exceptionally high performance.

Compact 37's patented plate design enables it to handle high gas temperatures as well as in all types of condensation applications.

Compact 37 can handle the high pressures such as in compressors and intercoolers. The product's compact size, versatility and excellent heat transfer makes it a perfect choice for a wide range of asymmetrical heat transfer applications. Compact 37 in single configuration is suitable for max. 25 Nm³/min gas (high pressure).

Compact 37 is certified as pressure vessel also on the gas side B.

TECHNICAL DATA

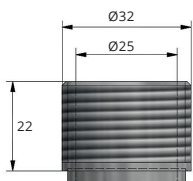
Side (A) "High density":	Water / Liquid / High pressure gas
Side (B) "Low density":	Gas / Steam
Plate material:	ASTM 316L / DIN 1.4404 / SS2348
Connections / Side plates:	ASTM 304 / DIN 1.4301 / SS2333
Brazing material:	Copper (Cu)
Operating temperature	Side A: -160°C to +190°C Side B: Limited by max plate temperature of 190°C
Operating absolute pressure at -160/25/190°C:	Side A: 0/26/20 bar(a); 0/377/290 psi(a) Side B: 0/18/13,6 bar(a); 0/261/197 psi(a)
Primary heat transfer surface/plate:	≈ 9 dm ²
Manufacturing standard:	EN13445-3
PED Side A:	In conformance with 2014/68/EU Fluid Group: 1 & 2

STANDARD VERSIONS FOR COMPACT 37

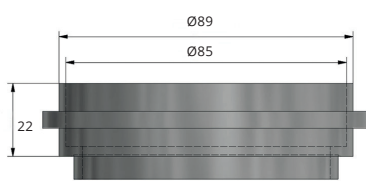
Part no.	Description	Plates	Connection	Height (mm)		Weight, empty ≈ kg	Volume (l)	
				A	Tolerances		Side A	Side B
512551	Compact 37-C-10-T	10	DN80-G1	48,5	±2,0	6,3	1,3	1,8
512552	Compact 37-C-20-T	20	DN80-G1	88,0	±2,5	8,8	2,6	3,6
512553	Compact 37-C-30-T	30	DN80-G1	127,5	±2,5	11,3	3,9	5,4
512554	Compact 37-C-40-T	40	DN80-G1	167,0	±3,0	13,8	5,2	7,2
512555	Compact 37-C-60-T	60	DN80-G1	246,0	±3,5	18,8	7,8	10,8
512556	Compact 37-C-80-T	80	DN80-G1	325,0	±4,0	23,8	10,4	14,4

STANDARD CONNECTIONS

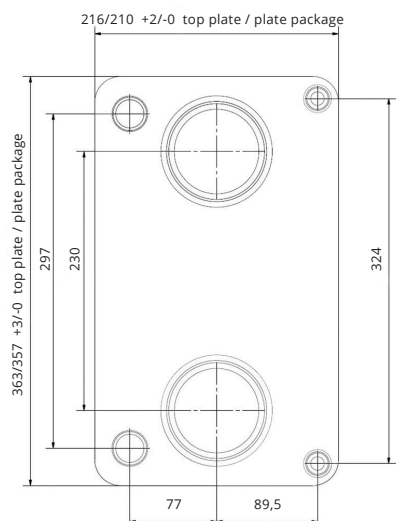
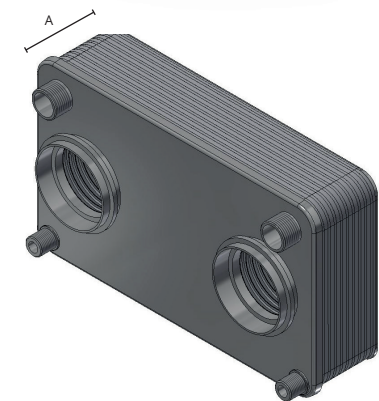
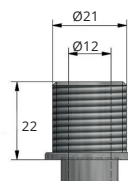
Side A
G 1



Side B
DN 80



Condensate
G 0.5



For configuration options see our Option-Compact sheet.

Patent. Compact 37 is protected by patents. Violation against Airec AB rights will be enforced.