

Compact 73

Compact 73 is a high-efficiency compact brazed stainless steel heat exchanger designed to handle asymmetrical flows with exceptionally high performance.

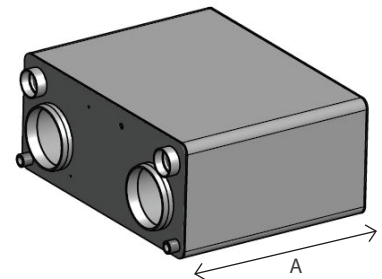
Compact 73's patented plate design enables it to handle extremely high gas temperatures without thermal fatigue with sufficient cooling liquid. This makes Compact 73 superior as a high-temperature exhaust gas heat exchanger, as well as in all types of condensation applications.

Compact 73 can handle gas pressure up to 16 bar(g) at room temperature conditions making it superior for compressor applications. The product's compact size, versatility and excellent heat transfer makes it a perfect choice for a wide range of asymmetrical heat transfer applications. Compact 73 in single configuration is suitable for max. 7000 kg/h gas.

Compact 73 is certified as pressure vessel on the gas side B.

TECHNICAL DATA

Side (A) "High density":	Water / Liquid / High pressure gas
Side (B) "Low density":	Gas / Steam
Plate material:	ASTM 316L / DIN 1.4404 / SS2348
Connections / Side plates:	ASTM 304 / DIN 1.4301 / SS2333
Brazing material:	Copper (Cu)
Operating temperature:	Side A: -160°C to +190°C Side B: xx°C (Limited by max plate temperature of 190°C)
Operating absolute pressure at -160 to +190°C:	Side A: 0/21(15,8) bar(a); 0/305(229) psi(a) Side B: 0/17(13) bar(a); 0/247(188) psi(a)
Primary heat transfer surface/plate:	≈ 19 dm ²
Manufacturing standard:	EN13445-3
PED Side A:	In conformance with 2014/68/EU Fluid Group: 1 & 2

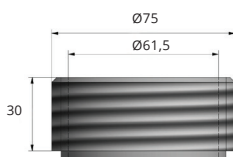


STANDARD VERSIONS FOR COMPACT 73

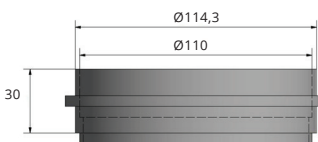
Part no.	Description	Plates	Connection	Height (mm)		Weight, empty ≈ kg	Volume (l)	
				A	Tolerances		Side A	Side B
511601	Compact 73-C-20-T	20	W110-G2.5	88	±6.0	28	6,3	9,5
511602	Compact 73-C-40-T	40	W110-G2.5	168	±7.5	41	12,6	19,0
511603	Compact 73-C-70-T	70	W110-G2.5	288	±9.0	61	22,0	33,2
511604	Compact 73-C-100-T	100	W110-G2.5	408	±10.5	80	31,5	47,5
511605	Compact 73-C-140-T	140	W110-G2.5	568	±12.0	106	44,1	66,5

STANDARD CONNECTIONS

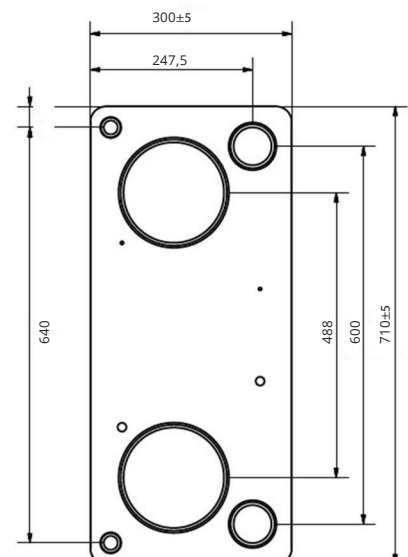
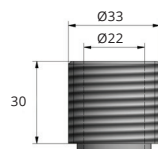
Side A
G 2.5



Side B
W 110 (DN100)



Condensate
G 1



For configuration options see our Option-Compact sheet

Patent. Compact 73 is protected by patents. Violation against Airec rights will be enforced.