

Compact 71

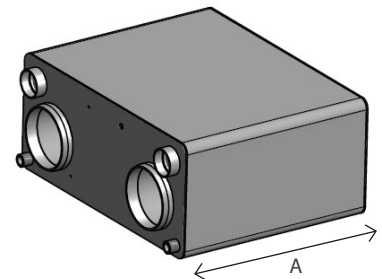
Compact 71 is a high-efficiency compact brazed stainless steel heat exchanger designed to handle asymmetrical flows with exceptionally high performance.

Compact 71's patented plate design enables it to handle extremely high gas temperatures without thermal fatigue with sufficient cooling liquid. This makes Compact 71 superior as a high-temperature exhaust gas heat exchanger, as well as in all types of condensation applications.

The product's compact size, versatility and excellent heat transfer makes it a perfect choice for a wide range of asymmetrical heat transfer applications. Compact 71 in single configuration is suitable for max. 2000 kg/h gas.

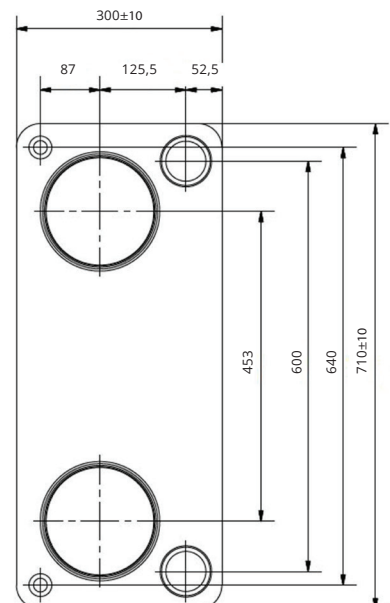
TECHNICAL DATA

Side (A) "High density":	Water / Liquid / High pressure gas
Side (B) "Low density":	Gas / Steam
Plate material:	ASTM 316L / DIN 1.4404 / SS2348
Connections / Side plates:	ASTM 304 / DIN 1.4301 / SS2333
Brazing material:	Copper (Cu)
Operating temperature:	Side A: -160°C to +190°C Side B: Limited by max plate temperature of 190°C
Operating absolute pressure at -160/25/190°C:	Side (A): 0/21/15,8 bar(a); 0/305/229 psi(a) Side (B): 0,5-1,5 bar(a); 7-22 psi(a) For higher pressure see datasheet Compact 72
Primary heat transfer surface/plate:	≈ 19 dm ²
Manufacturing standard:	EN13445-3
PED Side A:	In conformance with 2014/68/EU Fluid Group: 1 & 2



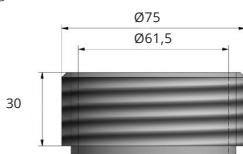
STANDARD VERSIONS FOR COMPACT 71

Part no.	Description	Plates	Connection	Height (mm)		Weight, empty ≈ kg	Volume (l)	
				A	Tolerances		Side A	Side B
511501	Compact 71-C-20-T	20	DN150-G2.5	90	±6,0	28	5,5	11,0
511502	Compact 71-C-40-T	40	DN150-G2.5	172	±7,5	41	11,0	22,0
511503	Compact 71-C-70-T	70	DN150-G2.5	296	±9,0	61	19,3	38,5
511504	Compact 71-C-100-T	100	DN150-G2.5	419	±10,5	80	27,5	55,0
511505	Compact 71-C-140-T	140	DN150-G2.5	583	±12,0	106	38,5	77,0

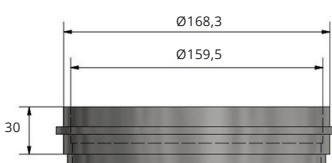


STANDARD CONNECTIONS

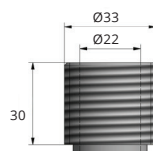
Side A
G 2.5



Side B
DN 150



Condensate
G 1



For configuration options see our Option-Compact sheet

Patent. Compact 71 is protected by patents. Violation against Airec rights will be enforced.