

Compact 36

08 | 2017

Compact 36 is a high-efficiency compact brazed stainless steel heat exchanger designed to handle asymmetrical flows with exceptionally high performance.

Compact 36's patented plate design enables it to handle extremely high gas temperatures without thermal fatigue with sufficient cooling liquid. This makes Compact 36 superior as a high-temperature exhaust gas heat exchanger, as well as in all types of condensation applications.

The product's compact size, versatility and excellent heat transfer makes it a perfect choice for a wide range of asymmetrical heat transfer applications. Compact 36 in single configuration is suitable for max. 500 kg/h gas.

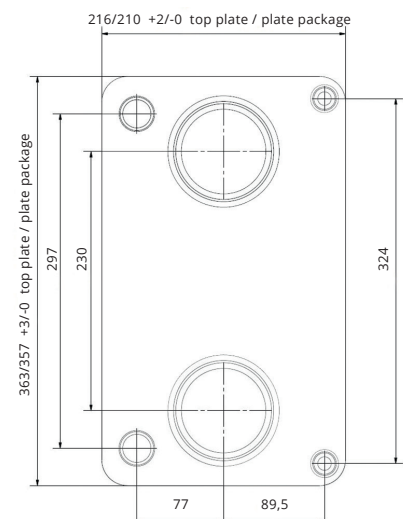
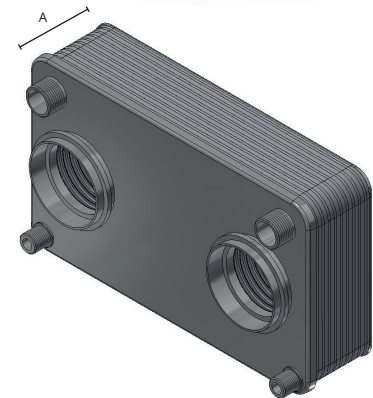
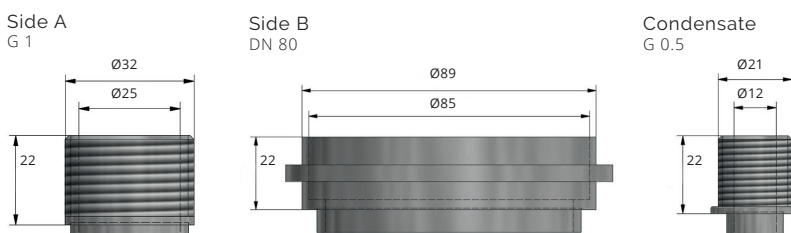
TECHNICAL DATA

Side (A) "High density":	Water / Liquid / High pressure gas
Side (B) "Low density":	Gas / Steam
Plate material:	ASTM 316L / DIN 1.4404 / SS2348
Connections / Side plates:	ASTM 304 / DIN 1.4301 / SS2333
Brazing material:	Copper (Cu)
Operating temperature	Side A: -160°C to +190°C Side B: Limited by max plate temperature of 190°C
Operating absolute pressure at -160/25/190°C:	Side A: 0/26/20 bar(a); 0/377/290 psi(a) Side B: 0,5-1,5 bar(a); 7-22 psi(a) For higher pressure see datasheet Compact 37
Primary heat transfer surface/plate:	≈ 9 dm ²
Manufacturing standard:	EN13445-3
PED Side A:	In conformance with 2014/68/EU Fluid Group: 1 & 2

STANDARD VERSIONS FOR COMPACT 36

Part no.	Description	Plates	Connection	Height (mm)		Weight, empty ≈ kg	Volume (l)	
				A	Tolerances		Side A	Side B
512010	Compact 36-C-10-T	10	DN80-G1	46	±2,0	6,3	1,3	1,8
512011	Compact 36-C-20-T	20	DN80-G1	85	±2,5	8,8	2,6	3,6
512007	Compact 36-C-30-T	30	DN80-G1	124	±2,5	11,3	3,9	5,4
512012	Compact 36-C-40-T	40	DN80-G1	164	±3,0	13,8	5,2	7,2
512013	Compact 36-C-60-T	60	DN80-G1	245	±3,5	18,8	7,8	10,8
512014	Compact 36-C-80-T	80	DN80-G1	322	±4,0	23,8	10,4	14,4

STANDARD CONNECTIONS



For configuration options see our Option-Compact sheet.

Patent. Compact 36 is protected by patents. Violation against Airec AB rights will be enforced.